

SBEDN9



SHEAVE BLOCKS

SUPERLIFT is the number one sheave block brand in Australia. Whether working deep in an underground mine, an oil platform, or in defense and construction industries, there's a block to suit every job. And all combine SUPERLIFT's legendary reliability and strength with world-leading manufacturing technology. SUPERLIFT Hoist products make heavy work easy.



About Us

From its establishment in 1988 SuperLift has built a solid reputation for high quality safe, strong reliable lifting equipment. We have rapidly become the world's largest and leading manufacturer of Australian made industrial lifting and rigging equipment. The satisfaction of our customers is our number one concern... and it's their number one concern as well. That's why they keep coming back to SuperLift. They won't accept anything but the best and you shouldn't either.

Our customers know... SuperLift provides superior products at competitive prices. Call today for the quality, reliability, competitive pricing, and full service you deserve.

Our manufacturing facility incorporates the latest in robotic manufacturing technology, computer aided design and manufacturing processes. With the latest in technology we would have the most advanced facility in Australia for the manufacture of industrial lifting equipment. Looking ahead, SuperLift's focus is clearly aimed at better serving the total needs of our customers. Further investment in manufacturing technology and equipment will expand our product offering, providing more solutions to our customers' lifting needs.

SuperLift's commitment is to continue to research and develop/manufacture high quality safe, strong reliable lifting equipment to meet the current and future needs of our customers. Meeting the demands of the increasingly complex, quality-conscious industrial world market is a challenge we gladly accept.

This Data book has been produced to assist the salesperson, engineer, draftsman, or rigger in selecting correct equipment for their particular use. Do not hesitate to contact Superlift's technical advice department if you require any further information.



Our Facility

Our manufacturing facility incorporates the latest in robotic manufacturing technology, computer aided design and manufacturing processes. Product testing utilizing our vertical and horizontal testing machine. With the latest in technology we would have the most advanced facility in Australia for the manufacture of industrial lifting equipment.

Looking ahead, SuperLift's focus is clearly aimed at better serving the total needs of our customers. Further investment in manufacturing technology and equipment will expand our product offering, providing more solutions to our customers' lifting needs.

Although all data contained in this data book / price list has been carefully compiled to make the information as complete as possible.
Superlift Engineering Pty Ltd will not be liable for any direct, indirect or consequential loss arising from the use of the information and material contained within this publication
Copyright © 1988 - 2015 Superlift Engineering Pty Ltd
All rights reserved. No part of this publication may be reproduced, or copied in any form or by any means without the prior written permission of Superlift Engineering Pty Ltd.
The copyright in the material contained within this publication belongs to Superlift Engineering Pty Ltd.

Contents

Description	Page
Lifting Device – General Precautions	1
Reeving Of Sheave Blocks	2
Sheave Block Maintenance Information	3
Hand Operated Sheave Blocks to AS2089 60mm to 76mm	4
Hand Operated Sheave Blocks to AS2089 89mm to 114mm	5
Hand Operated Sheave Blocks to AS2089 127mm to 178mm	6
Hand Operated Sheave Blocks to AS2089 203mm to 254mm	7
Power Operated Sheave Blocks to AS2089 152mm to 300mm	8
Power Operated Sheave Blocks to AS2089 350mm to 450mm	9
Gin or Rubbish Blocks	9
Super Snatch Blocks	10
Hand Operated Sheaves to AS2089	11
Power Operated Sheaves to AS2089	11
Heavy Duty Sheaves	11
Special Purpose Blocks	12
Aerial Conductor Stringing Blocks	13
Heavy Duty Vertical Lead Blocks (AS1418)	14
Base Mounted Vertical Lead Blocks (AS2089)	15
Custom Products - Gallery	16
Quotation Template – Custom Sheaves	17
Quotation Template – Custom Sheave Blocks	18
Quotation Template – Custom Crane Blocks	19
Quotation Template – Custom Machined Hooks	20
Quotation Template – Custom Safety Latch Kits	21
Testing And Inspection	22
Terms & Conditions of Sale	23
Conversion Tables	24





WARNING

LIFTING DEVICE - GENERAL PRECAUTIONS

LOAD RATINGS STATED ON ALL **SUPERLIFT** LIFTING DEVICES ARE APPLICABLE TO NEW OR AS NEW PRODUCTS ONLY AND APPLY TO THE MAXIMUM LOAD WHICH MAY BE SUPPORTED BY THE HEAD FITTING, UNDER NORMAL ENVIRONMENTAL CONDITIONS. SHOCK LOADINGS MUST BE TAKEN INTO ACCOUNT WHEN SELECTING LOAD RATINGS ON LIFTING DEVICES AS THESE LOADS ARE MUCH GREATER THAN STATIC LOADS. THE WORKING LOAD LIMIT (W.L.L.) OR SAFETY FACTOR ON ALL **SUPERLIFT** PRODUCTS MAY BE AFFECTED BY WEAR, MISUSE, OVERLOADING, DEFORMATION, CORROSION OR OTHER CONDITIONS, REGULAR INSPECTION MUST BE CARRIED OUT TO DETERMINE WHETHER USE CAN BE CONTINUED OR THE PRODUCT WITHDRAWN FROM SERVICE, **SUPERLIFT** LIFTING DEVICES SHOULD BE USED BY EXPERIENCED TRAINED PERSONNEL FAMILIAR WITH HOISTING SYSTEMS.

All the products manufactured by **SUPERLIFT** are sold with the express understanding that the purchaser is thoroughly familiar with the safe and proper use and application of the product.

Responsibility for the use and application of the products rests with the user.

SUPERLIFT products are generally intended for tension or pull loads, side loading must never be applied, as it exerts additional force or loading which the product is not designed to accommodate.

Failure of the product can occur due to incorrect use, misapplication, abuse, or improper maintenance. Product failure could result in property damage, personal injury or death.

- **WORKING LOAD LIMIT** - The maximum load or force the product is authorized to support in a particular service.
- **PROOF LOAD** - The average force to which a product may be subjected to before deformation occurs.
- **SHOCK LOAD** - A force that results from the rapid acceleration of a static load (jerking), these loads add significantly to the static load.
- **STATIC LOAD** - A constantly applied force or load.

- **IMPROPER:** Use of lifting devices could result in death or serious injury to avoid this -
- **NEVER:** Exceed working load limit
- **NEVER:** Hoist loads over or near people
- **NEVER:** Work under or near hoisted loads
- **ALWAYS:** Operate, inspect and maintain lifting equipment in accordance with all relevant safety standards.



WHEN ATTACHING OR MOVING A LOAD, THE OPERATOR / RIGGER, MUST MAKE SURE OF ALL OF THE FOLLOWING:

- The hoisting rope is free of kinks or twists and not wrapped around the load.
- The load is attached to the Crane Hook by means of a sling or other approved device allowing for single or duplex (rams horn) hooks.
- The sling and load will clear all obstacles or obstructions.
- The load is balanced and secured before lifting the load more than a few inches.
- Multiple lines are not twisted around each other.
- The hook is brought over the load in a manner to prevent swinging.
- There is no sudden acceleration or deceleration of the moving load.
- Do not allow anyone to ride on a load or hooks.
- Do not attempt lifts beyond the rated load capacity of a crane or slings.
- Do not lift a load from the side. Centre the crane directly over the load before hoisting to avoid swinging the load.
- Do not leave suspended loads unattended.

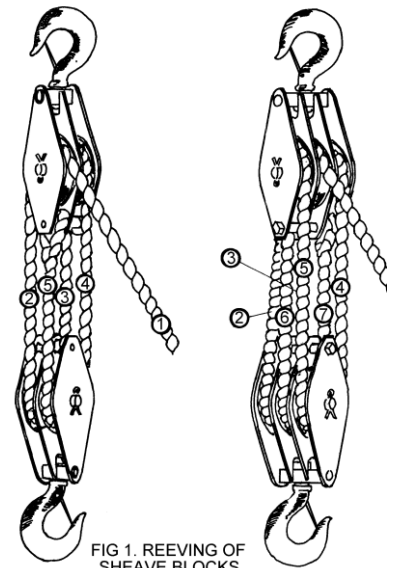
Spare parts are available from **SUPERLIFT** & authorized resellers; replace all worn or damaged parts.
USE ONLY GENUINE SUPERLIFT SPARE PARTS WHEN REPAIRING OR SERVICING SUPERLIFT PRODUCTS

REEVING OF SHEAVE BLOCKS

When reeving a pair of sheave blocks one of which has more than two sheaves the lead line should come off one of the centre sheaves of the upper block to prevent toppling of the upper block and possible damage to the rope. Always start reeving from the becket and avoid chaffing the rope on the side plates, when you have completed reeving, the bottom block must be at right angles to the top block as in **Fig. 1**.

The upper block has a greater hook load due to the pull on the lead rope.

The sheaves in these blocks revolve at different speeds; those nearest the lead line rotate at the highest speed therefore wear out faster. For applications, which require heavy lifting or high-speed operation, bronze bushes or roller bearings should be specified when ordering.

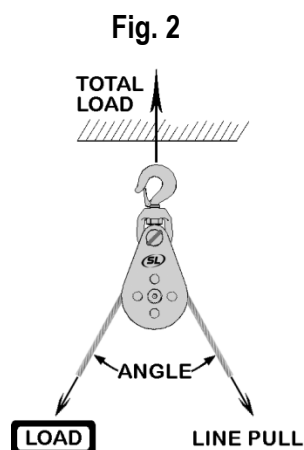


LOADS ON SHEAVE BLOCKS

A single sheave block used to change load line direction can be subjected to total loads greatly different from the weight being lifted or pulled. The total load value varies with the angle of wrap between the incoming and departing lines to the block.

In the following chart multiply the factor by the line pull to obtain the total load on the block as in **Fig. 2**.

E.g. Total Load = Line Pull x Factor



ANGLE Deg.	FACTOR
0	2.00
10	1.99
20	1.97
30	1.93
40	1.87
45	1.84
50	1.81
60	1.73
70	1.64
80	1.53
90	1.41
100	1.29
110	1.15
120	1.00
130	.84
140	.68
150	.52
160	.30
170	.17
180	.00



SHEAVE BLOCK - MAINTENANCE INFORMATION

SAFETY OF PERSONNEL

The regulatory authority may require that it be notified where a sheave block is to be used for personnel lifting.

STORAGE

Sheave blocks and ropes should be periodically overhauled and, when not in use, carefully stored in a satisfactory environment.

USE

Prior to use, sheave blocks should be thoroughly examined to determine whether they are safe to use, for their intended application, they should only be used in a manner in which they are designed for.

Sheave blocks must be regularly inspected, lubricated and maintained for peak efficiency and extended usefulness. The frequency of inspection depends upon frequency and period of product use as well as environmental conditions, which are contingent upon the user's good judgement.

SPECIAL ATTENTION SHOULD BE GIVEN TO THE FOLLOWING PRIOR TO USE

- a) **Rope Groove**, Examine the fit of the rope in the grooves of the sheaves to ensure that the grooves are correct for the rope size. A worn sheave groove will result in a high rate of rope wear, particularly when a new rope is first reeved.
- b) **Hook**, Check for damage, cracks, nicks, gouges, deformations of the throat opening, wear on saddle or load bearing point, and twist.
- c) **Safety Latch**, Examine the safety latch for correct operation, deformation, broken springs etc
- d) **Swivel Head Fitting**, Examine the nut or collar of the shank to ensure that it is securely fastened and free from visible defects, check that the shank is not distorted and turns freely by hand, and that the clearance is not excessive. Grease or oil the shank and the bearing surface of the nut or collar, if thrust bearings are fitted these must also be greased or oiled periodically depending on the severity of use.
- e) **Side Straps and Side Plates**, Examine for fractures, stretching, buckling, distortion and wastage due to corrosion. Buckled or distorted side plates may allow the rope to jam between the sheave and the side or partition plate.
- f) **Sheaves**, Examine the rope grooves for excessive wear and surface defects (e.g. bruising, chipping cracking etc) that may damage the rope during use. The sheave should be checked to see that it turns freely on the axle and that the bush or bearing is not excessively worn.
- g) **Axles**, Examine axles for wear, and check that they are retained as intended.
- h) **Bearings & Bushes**, (where fitted) make sure product rotates freely without any signs of binding.
- i) **Fasteners**, Examine the security of nut's bolts and other locking methods, especially after reassembly following a tear down inspection.
- j) **Lubrication**, Where provision is made for lubrication, ensure that the sheave block is adequately lubricated. If the block is not lubricated regularly, its life is greatly reduced, and the efficiency of the tackle is impaired.
- k) **Painting**, Do not paint the block in such a manner that free movement is impaired or lubrication points or grease nipples become clogged. It is especially important that load or reference markings are not obliterated.
- l) **Heating**, After any exposure of a block to temperatures exceeding 200 degrees Celsius (such as from a furnace, welding etc) that may affect its serviceability, the block should be returned to SuperLift for evaluation.
- m) **Temperature Limits**, Permissible ambient conditions for SUPERLIFT products are -40 degrees Celsius to +60 degrees Celsius & 100 % humidity.
- n) **Wear Limits**, Maximum permissible wear at load bearing points on SUPERLIFT products is 10 %
- o) **Replacement Parts**, Use only genuine SUPERLIFT replacement parts.

Spare parts are available from **SUPERLIFT** & authorized resellers; replace all worn or damaged parts.
USE ONLY GENUINE SUPERLIFT SPARE PARTS WHEN REPAIRING OR SERVICING SUPERLIFT PRODUCTS

Hand Operated Sheave Blocks (AS 2089)

SuperLift sheave blocks range from 60mm dia. to 254mm dia. Hand operated and 152mm dia to 450mm dia Power operated, in snatch, single, double and treble configurations.

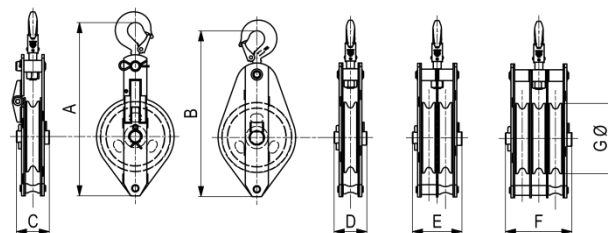
Features:

- Safety latch fitted to hook as standard
- Drop forged swivel Hook or Eye
- Cast iron and steel machined sheaves to suit either wire rope or fibre rope
- Power operated blocks are fitted with high capacity bushes and becketts as standard
- Power operated blocks are fitted with a grease nipple to enable pressure grease lubrication
- Identification labels to show capacities and other relevant details
- Painted SuperLift industrial grey enamel



Optional Features P.O.A.:

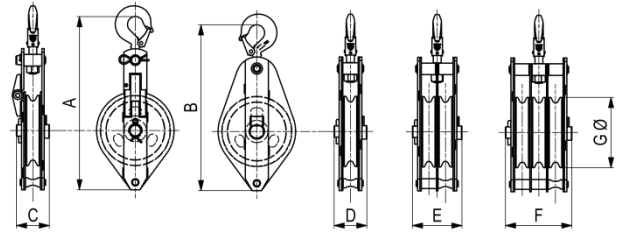
- With ball or roller bearing
- With special grooves to suit other rope sizes
- Special coatings e.g. Zinc plated, Galvanizing, Epoxy Paints etc.
- Sheave blocks can be manufactured to suit any application.
- Test certificates only if requested at time of order.



Sheave Dia. (G)	Type	WLL Kg	Rope Type	Rope Dia. (mm)	Head Fitting	Product Code	Bush Fitted	A	B	C	D	E	F	U/W Kg	
60	Single	500	Fibre	10	Eye	SBH-001-ME	YES	168			35			1.0	
			Hook	SBH-001-MH											
		Wire	5	Eye		SBH-001-WE									
				Hook	SBH-001-WH										
	Double	500	Fibre	10	Eye	SBH-002-ME	YES	168				59		1.6	
			Hook	SBH-002-MH											
		Wire	5	Eye		SBH-002-WE									
				Hook	SBH-002-WH										
	Treble	500	Fibre	10	Eye	SBH-003-ME	YES	168						83	1.8
			Hook	SBH-003-MH											
		Wire	5	Eye		SBH-003-WE									
				Hook	SBH-003-WH										
Snatch	500	Fibre	10	Eye	SBH-004-ME	YES	173			41				1.2	
		Hook	SBH-004-MH												
	Wire	5	Eye		SBH-004-WE										
			Hook	SBH-004-WH											
76	Single	500	Fibre	12	Eye	SBH-011-ME	YES	189			35			1.0	
			Hook	SBH-011-MH											
		Wire	6	Eye		SBH-011-WE									
				Hook	SBH-011-WH										
	Double	500	Fibre	12	Eye	SBH-012-ME	YES	189				59		1.7	
			Hook	SBH-012-MH											
		Wire	6	Eye		SBH-012-WE									
				Hook	SBH-012-WH										
	Treble	500	Fibre	12	Eye	SBH-013-ME	YES	189						83	2.0
			Hook	SBH-013-MH											
		Wire	6	Eye		SBH-013-WE									
				Hook	SBH-013-WH										
Snatch	500	Fibre	12	Eye	SBH-014-ME	YES	194			41				1.3	
		Hook	SBH-014-MH												
	Wire	6	Eye		SBH-014-WE										
			Hook	SBH-014-WH											

Special Sheave Blocks can be manufactured to suit any application.

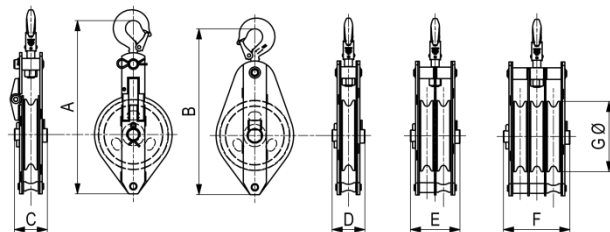
Hand Operated Sheave Blocks (AS 2089)



Sheave Dia. (G)	Type	WLL Kg	Rope Type	Rope Dia. (mm)	Head Fitting	Product Code	Bush Fitted	A	B	C	D	E	F	U/W Kg	
89	Single	650	Fibre	14	Eye	SBH-021-ME	YES	253	38					1.7	
			Hook	SBH-021-MH											
			Wire	7	Eye	SBH-021-WE									Hook
	Double	650	Fibre	14	Eye	SBH-022-ME	YES	253		64					2.5
			Hook	SBH-022-MH											
			Wire	7	Eye	SBH-022-WE									
	Treble	650	Fibre	14	Eye	SBH-023-ME	YES	253						87	3.4
			Hook	SBH-023-MH											
			Wire	7	Eye	SBH-023-WE									
	Snatch	650	Fibre	14	Eye	SBH-024-ME	YES	258	51						2
			Hook	SBH-024-MH											
			Wire	7	Eye	SBH-024-WE									
102	Single	1000	Fibre	16	Eye	SBH-031-ME	YES	276	48						2.2
			Hook	SBH-031-MH											
			Wire	8	Eye	SBH-031-WE									
	Double	1000	Fibre	16	Eye	SBH-032-ME	YES	276		79					3.6
			Hook	SBH-032-MH											
			Wire	8	Eye	SBH-032-WE									
	Treble	1000	Fibre	16	Eye	SBH-033-ME	YES	276						112	5
			Hook	SBH-033-MH											
			Wire	8	Eye	SBH-033-WE									
	Snatch	1000	Fibre	16	Eye	SBH-034-ME	YES	281	41						2.8
			Hook	SBH-034-MH											
			Wire	8	Eye	SBH-034-WE									
114	Single	1250	Fibre	18	Eye	SBH-041-ME	YES	322	48						2.8
			Hook	SBH-041-MH											
			Wire	9	Eye	SBH-041-WE									
	Double	1250	Fibre	18	Eye	SBH-042-ME	YES	322		79					4.6
			Hook	SBH-042-MH											
			Wire	9	Eye	SBH-042-WE									
	Treble	1250	Fibre	18	Eye	SBH-043-ME	YES	322						112	6.4
			Hook	SBH-043-MH											
			Wire	9	Eye	SBH-043-WE									
	Snatch	1250	Fibre	18	Eye	SBH-044-ME	YES	339	58						3.6
			Hook	SBH-044-MH											
			Wire	9	Eye	SBH-044-WE									

Special Sheave Blocks can be manufactured to suit any application.

Hand Operated Sheave Blocks (AS 2089)

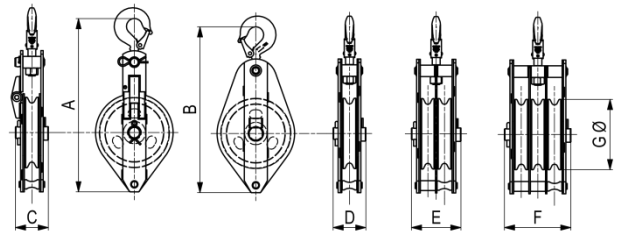


Sheave Dia. (G)	Type	WLL Kg.	Rope Type	Rope Dia. (mm)	Head Fitting	Product Code	Bush Fitted	A	B	C	D	E	F	U/W Kg	
127	Single	1500	Fibre	20	Eye	SBH-051-ME	Option	333	61					4.2	
			Hook	SBH-051-MH											
			Wire	10	Eye	SBH-051-WE									Hook
	Double	1500	Fibre	20	Eye	SBH-052-ME	Option	333		95				6.4	
			Hook	SBH-052-MH											
			Wire	10	Eye	SBH-052-WE									Hook
	Treble	1500	Fibre	20	Eye	SBH-053-ME	Option	333					131	8.4	
			Hook	SBH-053-MH											
			Wire	10	Eye	SBH-053-WE									Hook
	Snatch	1500	Fibre	20	Eye	SBH-054-ME	Option	350	61						4.1
			Hook	SBH-054-MH											
			Wire	10	Eye	SBH-054-WE									
152	Single	2000	Fibre	24	Eye	SBH-061-ME	Option	380	71					5.8	
			Hook	SBH-061-MH											
			Wire	12	Eye	SBH-061-WE									Hook
	Double	3000	Fibre	24	Eye	SBH-062-ME	Option	380		107				9.2	
			Hook	SBH-062-MH											
			Wire	12	Eye	SBH-062-WE									Hook
	Treble	4000	Fibre	24	Eye	SBH-063-ME	Option	380					144	12.8	
			Hook	SBH-063-MH											
			Wire	12	Eye	SBH-063-WE									Hook
	Snatch	2000	Fibre	24	Eye	SBH-064-ME	Option	396	71						5.4
			Hook	SBH-064-MH											
			Wire	12	Eye	SBH-064-WE									
178	Single	2500	Fibre	28	Eye	SBH-071-ME	YES	443	83					9	
			Hook	SBH-071-MH											
			Wire	14	Eye	SBH-071-WE									Hook
	Double	3750	Fibre	28	Eye	SBH-072-ME	YES	443		126				14.8	
			Hook	SBH-072-MH											
			Wire	14	Eye	SBH-072-WE									Hook
	Treble	5000	Fibre	28	Eye	SBH-073-ME	YES	443					169	20.6	
			Hook	SBH-073-MH											
			Wire	14	Eye	SBH-073-WE									Hook
	Snatch	2500	Fibre	28	Eye	SBH-074-ME	YES	443	83					8.6	
			Hook	SBH-074-MH											
			Wire	14	Eye	SBH-074-WE									Hook

Special Sheave Blocks can be manufactured to suit any application.

All specifications & dimensions are subject to change without notice.

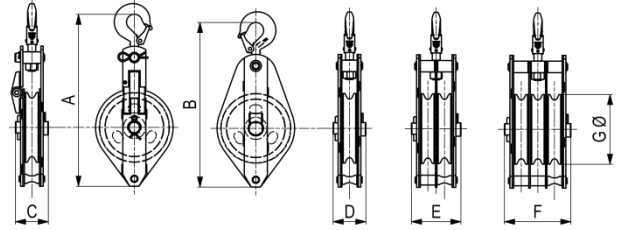
Hand Operated Sheave Blocks (AS 2089)



Sheave Dia. (G)	Type	WLL Kg	Rope Type	Rope Dia. (mm)	Head Fitting	Product Code	Bush Fitted	A	B	C	D	E	F	U/W Kg	
203	Single	4000	Fibre	32	Eye	SBH-081-ME	Option	500	94					13.4	
			Hook	SBH-081-MH											
			Wire	16	Eye	SBH-081-WE									Hook
	Double	6000	Fibre	32	Eye	SBH-082-ME	Option	500		157					22
			Hook	SBH-082-MH											
			Wire	16	Eye	SBH-082-WE									
	Treble	8000	Fibre	32	Eye	SBH-083-ME	Option	500						198	31
			Hook	SBH-083-MH											
			Wire	16	Eye	SBH-083-WE									
	Snatch	4000	Fibre	32	Eye	SBH-084-ME	Option	500	94						13.8
			Hook	SBH-084-MH											
			Wire	16	Eye	SBH-084-WE									
229	Single	5000	Fibre	36	Eye	SBH-091-ME	YES	607	107						22.4
			Hook	SBH-091-MH											
			Wire	18	Eye	SBH-091-WE									
	Double	7500	Fibre	36	Eye	SBH-092-ME	YES	607		168					36.9
			Hook	SBH-092-MH											
			Wire	18	Eye	SBH-092-WE									
	Treble	10000	Fibre	36	Eye	SBH-093-ME	YES	607						229	50.7
			Hook	SBH-093-MH											
			Wire	18	Eye	SBH-093-WE									
	Snatch	5000	Fibre	36	Eye	SBH-094-ME	YES	607	107						23.4
			Hook	SBH-094-MH											
			Wire	18	Eye	SBH-094-WE									
254	Single	6000	Fibre	40	Eye	SBH-101-ME	YES	643	114						28.2
			Hook	SBH-101-MH											
			Wire	20	Eye	SBH-101-WE									
	Double	9000	Fibre	40	Eye	SBH-102-ME	YES	643		183					46.6
			Hook	SBH-102-MH											
			Wire	20	Eye	SBH-102-WE									
	Treble	12000	Fibre	40	Eye	SBH-103-ME	YES	643						252	70.6
			Hook	SBH-103-MH											
			Wire	20	Eye	SBH-103-WE									
	Snatch	6000	Fibre	40	Eye	SBH-104-ME	YES	643	114						29
			Hook	SBH-104-MH											
			Wire	20	Eye	SBH-104-WE									

Special Sheave Blocks can be manufactured to suit any application.

Power Operated Sheave Blocks (AS 2089)

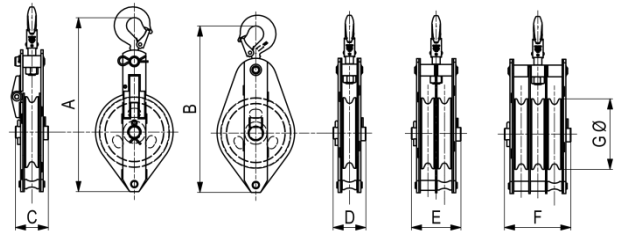


Sheave Dia. (G)	Type	WLL Kg	Rope Type	Rope Dia. (mm)	Head Fitting	Product Code	Bush Fitted	A	B	C	D	E	F	U/W Kg
152	Single	2000	Wire	8	Eye Hook	SBP-061-E SBP-061-H	YES		380		71			5.8
	Double	3000	Wire	8	Eye Hook	SBP-062-E SBP-062-H	YES		380			107		9.2
	Treble	4000	Wire	8	Eye Hook	SBP-063-E SBP-063-H	YES		380				144	12.8
	Snatch	2000	Wire	8	Eye Hook	SBP-064-E SBP-064-H	YES	396		71				5.5
178	Single	2500	Wire	10	Eye Hook	SBP-071-E SBP-071-H	YES		443		83			9
	Double	3750	Wire	10	Eye Hook	SBP-072-E SBP-072-H	YES		443			126		15.2
	Treble	5000	Wire	10	Eye Hook	SBP-073-E SBP-073-H	YES		443				169	21.2
	Snatch	2500	Wire	10	Eye Hook	SBP-074-E SBP-074-H	YES	443		83				9
203	Single	4000	Wire	12	Eye Hook	SBP-081-E SBP-081-H	YES		500		94			13.8
	Double	6000	Wire	12	Eye Hook	SBP-082-E SBP-082-H	YES		500			157		22.8
	Treble	8000	Wire	12	Eye Hook	SBP-083-E SBP-083-H	YES		500				198	32.2
	Snatch	4000	Wire	12	Eye Hook	SBP-084-E SBP-084-H	YES	500		94				14.2
229	Single	5000	Wire	13	Eye Hook	SBP-091-E SBP-091-H	YES		607		107			23
	Double	7500	Wire	13	Eye Hook	SBP-092-E SBP-092-H	YES		607			168		37.9
	Treble	10000	Wire	13	Eye Hook	SBP-093-E SBP-093-H	YES		607				229	51.3
	Snatch	5000	Wire	13	Eye Hook	SBP-094-E SBP-094-H	YES	607		107				24
254	Single	6000	Wire	14	Eye Hook	SBP-101-E SBP-101-H	YES		643		114			28.8
	Double	9000	Wire	14	Eye Hook	SBP-102-E SBP-102-H	YES		643			183		47.5
	Treble	12000	Wire	14	Eye Hook	SBP-103-E SBP-103-H	YES		643				252	68.1
	Snatch	6000	Wire	14	Eye Hook	SBP-104-E SBP-104-H	YES	643		114				29.5
300	Single	8000	Wire	16	Eye Hook	SBP-111-E SBP-111-H	YES	SPECIFICATIONS AVAILABLE UPON APPLICATION						
	Double	12000	Wire	16	Eye Hook	SBP-112-E SBP-112-H	YES							
	Treble	16000	Wire	16	Eye Hook	SBP-113-E SBP-113-H	YES							
	Snatch	8000	Wire	16	Eye Hook	SBP-114-E SBP-114-H	YES							

Special Sheave Blocks can be manufactured to suit any application.

All specifications & dimensions are subject to change without notice.

Power Operated Sheave Blocks (AS 2089)



Sheave Dia. (G)	Type	WLL Kg	Rope Type	Rope Dia. (mm)	Head Fitting	Product Code	Bush Fitted	A	B	C	D	E	F	U/W Kg
350	Single	10000	Wire	20	Eye Hook	SBP-121-E SBP-121-H	YES	SPECIFICATIONS AVAILABLE UPON APPLICATION						
	Double	15000	Wire	20	Eye Hook	SBP-122-E SBP-122-H	YES							
	Treble	20000	Wire	20	Eye Hook	SBP-123-E SBP-123-H	YES							
	Snatch	10000	Wire	20	Eye Hook	SBP-124-E SBP-124-H	YES							
400	Single	10000	Wire	24	Eye Hook	SBP-131-E SBP-131-H	YES							
	Double	15000	Wire	24	Eye Hook	SBP-132-E SBP-132-H	YES							
	Treble	20000	Wire	24	Eye Hook	SBP-133-E SBP-133-H	YES							
	Snatch	10000	Wire	24	Eye Hook	SBP-134-E SBP-134-H	YES							
450	Single	10000	Wire	26	Eye Hook	SBP-141-E SBP-141-H	YES							
	Double	15000	Wire	26	Eye Hook	SBP-142-E SBP-142-H	YES							
	Treble	20000	Wire	26	Eye Hook	SBP-143-E SBP-143-H	YES							
	Snatch	10000	Wire	26	Eye Hook	SBP-144-E SBP-144-H	YES							

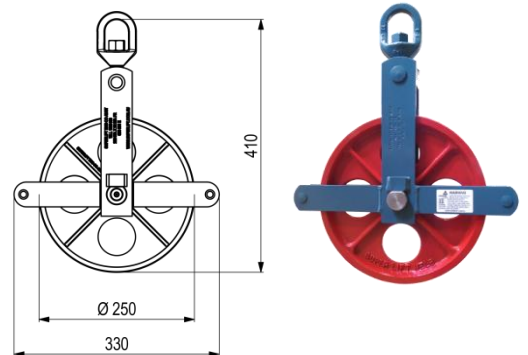
Special Sheave Blocks can be manufactured to suit any application.

Gin or Rubbish Blocks (AS 2089)

SuperLift Gin or Rubbish Blocks are lightweight blocks widely used by roofers, bricklayers and contractors for hoisting materials up high rise buildings.

Features:

- Lightweight heavy-duty steel construction
- Drop forged Swivel Eye as standard
- Hook type made to order only, minimum quantities apply.
- Identification labels to show capacities and other relevant details
- Supplied painted SuperLift Industrial grey enamel



Product Code	WLL Kg	Type	Sheave Dia. (mm)	Fibre Rope (mm)	Bush Fitted	U/W Kg
GIN 001 E	1000	Single	250	22	No	6
GIN 001 BE	1000	Single	250	22	Yes	6
GIN 001 22	1000	Sheave Only	250	22	No	3

Super Snatch Blocks (AS 2089)

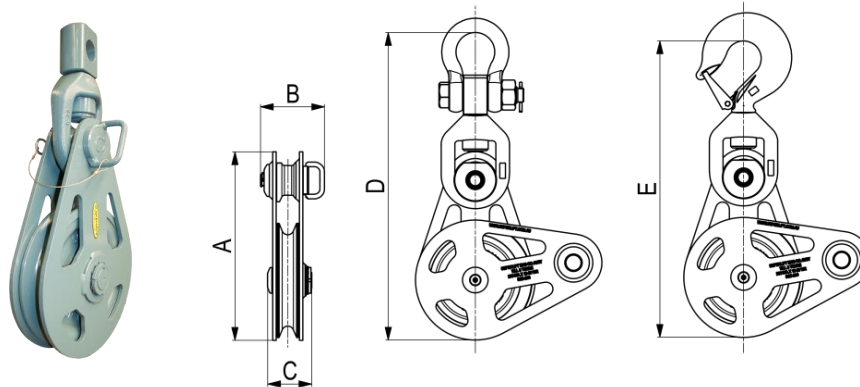
SuperLift Super Snatch blocks are generally used in the construction, heavy recovery and shipping industries. They are small HIGH CAPACITY blocks most commonly used for equalizer applications.

Features:

- Special rope groove profile to suit both dyneema & wire ropes
- Lightweight heavy-duty construction.
- Special high capacity bushes and grease nipple fitted as standard.
- Safety screw pins fitted as standard c/w safety locking clip.
- Interchangeable and removable head fittings.
- Supplied painted SuperLift Industrial grey enamel.
- Spare parts are always available.

Optional Features - P.O.A.

- With ball or roller bearing
- With special groove profiles to suit other rope sizes
- Special coatings e.g. Zinc plated, Galvanizing, Epoxy Paints etc.
- Sheave blocks can be manufactured to suit any application.
- Thrust bearings if blocks are to rotate under load.
- Test certificates only if requested at time of order.



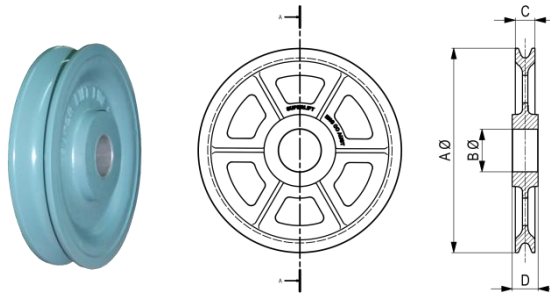
Sheave Dia. (G)	Wire Rope Dia. (mm)	WLL Kg	Type	Product Code	A	B	C	D	E	U/W Kg
100	10-11	3000	Swivel Shackle	SSB100S		66	53	333		4.4
			Hook	SSB100H		66	53		326	4.9
			Toggle	SSB100T	188	66	53			3.4
			Sheave Only	SSB10010						2
150	12-14	4500	Swivel Shackle	SSB150S4		100	67	418		8.8
			Hook	SSB150H4		100	67		415	9.2
			Toggle	SSB150T4	256	100	67			6
			Sheave Only	SSB15012						2.2
150	16-18	8000	Swivel Shackle	SSB150S		108	88	490		12
			Hook	SSB150H		108	88		472	12.3
			Toggle	SSB150T	280	108	88			8
			Sheave Only	SSB15018						3.2
200	18-20	8000	Swivel Shackle	SSB200S		108	88	540		15.2
			Hook	SSB200H		108	88		522	15.5
			Toggle	SSB200T	330	108	88			11
			Sheave Only	SSB20020						4.2
250	22	10000	Swivel Shackle	SSB250S		156	107	684		31.4
			Hook	SSB250H		156	107		615	33
			Toggle	SSB250T	427	156	107			25
			Sheave Only	SSB25022						9.4
300	26	15000	Swivel Shackle	SSB300S		164	123	798		45
			Hook	SSB300H		164	123		748	48
			Toggle	SSB300T	485	164	123			33
			Sheave Only	SSB30026						13
350	28	20000	Swivel Shackle	SSB350S		190	125	946		73.6
			Hook	SSB350H		190	125		890	78
			Toggle	SSB350T	585	190	125			53
			Sheave Only	SSB35028						18
400	32	25000	Swivel Shackle	SSB400S		208	136	1014		115
			Hook	SSB400H		208	136		953	124
			Toggle	SSB400T	660	208	136			96
			Sheave Only	SSB40032						32

Swivel shackle type Super Snatch Blocks are to suit standard grade S shackles (not included).

Super Snatch Blocks can be made to suit customer requirements.

All specifications & dimensions are subject to change without notice.

Sheaves (AS 2089)



HAND OPERATED SHEAVES TO AS 2089										
Sheave Dia. (A)	Rope Type	Rope Dia. (mm)	Product Code	Standard pkt. size	Bush Fitted as Standard	Shaft (B)	C	D	U/W Kg	
60	Wire	5	SBH-001-30	10	YES	12	18	21	0.4	
	Fibre	10	SBH-001-7							
76	Wire	6	SBH-011-30							
	Fibre	12	SBH-011-7							
89	Wire	7	SBH-021-30							
	Fibre	14	SBH-021-7							
102	Wire	8	SBH-031-30							
	Fibre	16	SBH-031-7							
114	Wire	9	SBH-041-30							
	Fibre	18	SBH-041-7							
127	Wire	10	SBH-051-30	OPTION	22	28	31	1.2		
	Fibre	20	SBH-051-7							
152	Wire	12	SBH-061-30	5	OPTION	25	29	32	2.2	
	Fibre	24	SBH-061-7							
178	Wire	14	SBH-071-30	1	YES	30	36	39	3.4	
	Fibre	28	SBH-071-7							
203	Wire	16	SBH-081-30		OPTION	35	41	46	5.2	
	Fibre	32	SBH-081-7							
229	Wire	18	SBH-091-30		YES	45	51	55	8.2	
	Fibre	36	SBH-091-7							
254	Wire	20	SBH-101-30		45	57	62	62	12.4	
	Fibre	40	SBH-101-7							
POWER OPERATED SHEAVES TO AS 2089										
152	WIRE	8	SBP-061-20		5	YES	25	29	32	2.2
178		10	SBP-071-20	1	30		36	39	3.4	
203		12	SBP-081-20		35		41	46	5.2	
229		13	SBP-091-20	45	51		55	8.2		
254		14	SBP-101-20	45	57		62	12.4		
300		16	SBP-111-20	50	61		65	18		
350		20	SBP-124-20	55	56		60	22.5		
400		24	SBP-134-20	70	65		69	29		
450		26	SBP-144-20	70	65		69	32		
500		28	SBP-154-20	80	70		75	41		
550	32	SBP-164-20	80	74	80	48				
HEAVY DUTY SHEAVES										
100	WIRE	10 - 11	SSB10010	5	YES	25	25	28	2	
150		12 - 14	SSB15012	1		30	29	32	3	
150		16 - 18	SSB15018			35	37	40	3	
200		18 - 20	SSB20020	35		37	40	4.6		
250		22	SSB25022	50		48	50	9.0		
300		26	SSB30026	55		56	60	15.6		
350		28	SSB35028	60		56	60	19.4		
400		32	SSB40032	70		65	69	30		
450		32	SSB45032	70		65	69	32		

Special sheaves can be manufactured to suit any application.

Special Purpose Blocks

Snatch Sling block, Suitable for endless round slings or straps commonly used where hoisted objects require rotation under load



Features,

- Swivel hook with heavy duty safety latch
- Fully sealed roller bearings
- Fully enclosed sheave

SNATCH SLING BLOCK				
Product Code	WLL Kg	Sheave Ø	Strap / Sling	U/W Kg
SSB50H	750	50	50	2.4

Single Head block, Suitable for offshore industries, most commonly used as the upper block for lifeboats on offshore platforms or ships



Features,

- Full stainless steel construction
- Fully sealed roller bearings

SINGLE HEAD BLOCK				
Product Code	WLL Kg	Sheave Ø	Wire Ø	U/W Kg
SB150SS	8000	150	14	12

Snatch Mooring block, Suitable for offshore industries, most commonly used as quick rope release for ship mooring applications



Features,

- Hot dipped galvanised steel construction
- Fully sealed roller bearings
- Very quick and easy rope release design

MOORING BLOCK				
Product Code	WLL t	Sheave Ø	Rope Ø	U/W Kg
MOR10E	10	250	40	35.1

Snatch Open Sided block, Suitable for offshore industries, most commonly used when quick rope insertion and retrieval is required



Features,

- Level Balanced steel construction
- Fully sealed roller bearings.

OPEN SIDED BLOCK				
Product Code	WLL t	Sheave Ø	Rope Ø	U/W Kg
OS1005E	5	100	12 - 50	38.6
OS15010E	10	150	25 - 100	90.4

Special Sheave Blocks can be manufactured to suit any application.

Aerial Conductor Stringing Blocks

Superlift Stringing Blocks are generally used in the construction, and power transmission industries. They are unique load rated, blocks most commonly used for aerial conductor installations.

Features:

- Special groove profiles to suit bare ropes, insulated cables or conductors
- High strength lightweight construction for easy handling
- Identification labels to show capacities and other relevant details

Optional Features - P.O.A.

- With ball or roller bearing
- With special groove profiles to suit other conductor sizes.
- Special coatings e.g. Zinc plated, Galvanizing, Epoxy Paints etc.
- Manufactured in stainless steel, for corrosion protection
- Special blocks can be manufactured to suit any application.
- Test certificates only if requested at time of order.



SNATCH BLOCK				
Product Code	WLL t	Sheave Ø	Rope / Con Ø	U/W Kg
CSB16010E	1.25	160	10	6.8

SNATCH BLOCK				
Product Code	WLL kg	Sheave Ø	Rope / Con Ø	U/W Kg
CSB15010H	500	150	10	3.8

SNATCH BLOCK				
Product Code	WLL t	Sheave Ø	Rope / Con Ø	U/W Kg
CSB15032H	2	150	32	6

SNATCH BLOCK				
Product Code	WLL kg	Sheave Ø	Rope / Con Ø	U/W Kg
CSB10032H	500	100	32	3.7

TREBLE BLOCK				
Product Code	WLL t	Sheave Ø	Rope / Con Ø	U/W Kg
CTB1308E	2.5	130	8	6.8

QUAD BLOCK				
Product Code	WLL t	Sheave Ø	Rope / Con Ø	U/W Kg
CQB120160E	5	120/160	10	18.6

Special Sheave Blocks can be manufactured to suit any application.

Heavy Duty Vertical Lead Blocks (AS 1418)

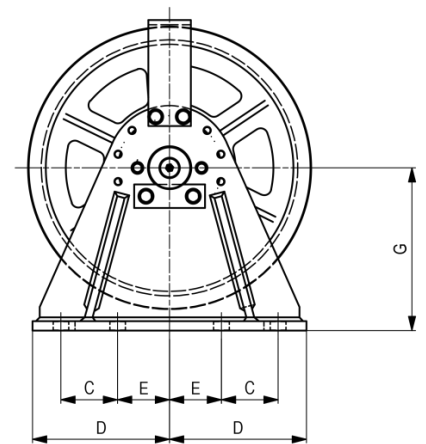
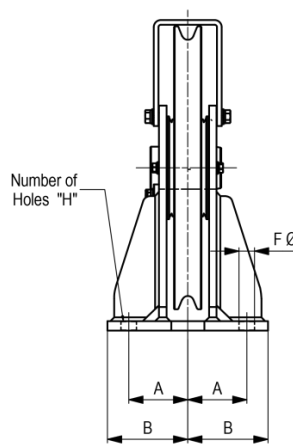
Superlift Heavy duty Lead Blocks are generally used in the mining, and general industries. They are heavy duty, base mounted blocks most commonly used for rope diversion on conveyors.

Features:

- Fully adjustable rope guard fitted as standard.
- Axles are fitted with a grease nipple to enable pressure grease lubrication
- Identification markings all relevant details
- Three bearing arrangements to choose from see below.
- Industrial zinc phosphate coating as standard

Optional Features - P.O.A.

- With special groove profiles to suit other rope sizes
- Special coatings e.g. Zinc plated, Galvanizing, Epoxy Paints etc.
- Manufactured in stainless steel, for corrosion protection
- Special blocks can be manufactured to suit any application.



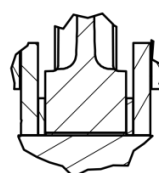
Sheave Overall Dia.	Product Code	Sheave Only Code	Wire Rope Dia (mm)	A	B	C	D	E	F	G	H
150	VLB150 -	VSH150 -	8 - 12	50	80	N/A	100	60	18	100	4
200	VLB200 -	VSH200 -	14 - 16	60	85		105	70	22	125	
250	VLB250 -	VSH250 -	14 - 20	65	95		120	80	23	150	
300	VLB300 -	VSH300 -	16 - 26	75	115		145	95	26	180	
350	VLB350 -	VSH350 -	16 - 32	90	125		170	120	33	216	
400	VLB400 -	VSH400 -	20 - 32	90	125		170	120	33	235	
450	VLB450 -	VSH450 -	20 - 32	115	155		255	195	33	260	
600	VLB600 -	VSH600 -	20 - 32	125	170	290	230	33	345	8	
750	VLB750 -	VSH750 -	26 - 40	140	185	140	400	200	33		430
900	VLB900 -	VSH900 -	26 - 40	170	215	160	470	250	40		520

Determination of Product Code, Example:

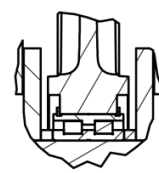
150mm Dia. Vertical Lead Block for 10mm wire rope to suit roller bearing, c/w Seal and Seal Plates = VLB150/10/RBS

Bearing Arrangements Available.

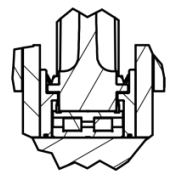
- **BB**, High Capacity Bush
- **RB**, Sealed Roller Bearing.
- **RBS**, Sealed Roller Bearing with Triple Labyrinth Seal.



BB



RB



RBS

All specifications & dimensions are subject to change without notice.

Base Mounted Lead Blocks (AS 2089)

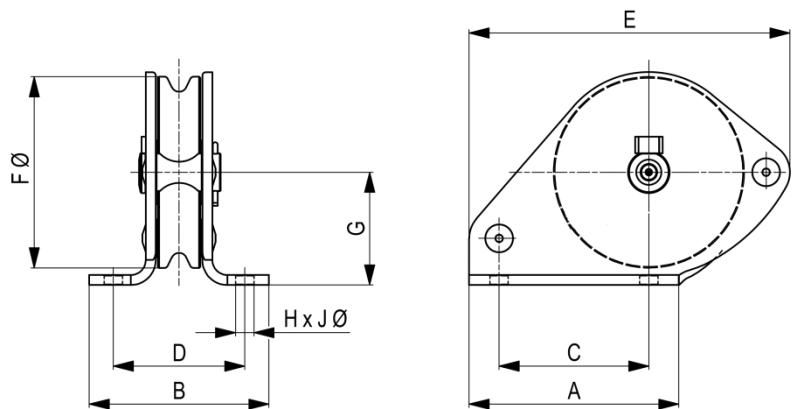
Superlift Lead Blocks are generally used in the construction, and general industries. They are unique load rated, base mounted blocks most commonly used for rope diversion or hoisting applications.

Features:

- Special rope groove profile to suit both high strength dyneema & wire ropes
- All blocks are fitted with high capacity bushes and two becketts as standard
- Power operated axles are fitted with a grease nipple to enable pressure grease lubrication
- Identification labels to show capacities and other relevant details
- Painted SuperLift industrial grey enamel

Optional Features - P.O.A.

- With ball or roller bearing.
- With special groove profiles to suit other rope sizes
- Special coatings e.g. Zinc plated, Galvanizing, Epoxy Paints etc.
- Manufactured in stainless steel, for corrosion protection
- Special blocks can be manufactured to suit any application.
- Test certificates only if requested at time of order.



HAND OPERATED LEAD BLOCKS

Product Code	Product Code Sheave Only	Sheave Ø F	WLL Kg	Rope Ø	A	B	C	D	E	G	H	J	UW Kg
BML-076-6	SBH-011-30	76	500	6	83	82	60	60	125.5	44	4	9	0.69
BML-102-8	SBH-031-30	102	1000	8	112	93	80	68	167	60	4	9	1.70
BML-127-10	SBH-051-30	127	1500	10	140	122	100	88	207	75	4	11	3.70
BML-152-12	SBH-061-30	152	2000	12	168	129	120	90	249	90	4	13	5.14
BML-178-14	SBH-071-30	178	2500	14	196	150	140	110	292	107	4	13	10.51
BML-203-16	SBH-081-30	203	4000	16	224	197	160	145	333	120	4	17	16.84
BML-229-18	SBH-091-30	229	5000	18	252	216	180	158	385.5	135	4	22	25.63
BML-254-20	SBH-101-30	254	6000	20	280	223	200	165	422	150	4	22	32.01

POWER OPERATED LEAD BLOCKS

BML-152-8	SBP-061-20	152	2000	8	168	129	120	90	249	90	4	13	5.14
BML-178-10	SBP-071-20	178	2500	10	196	150	140	110	292	107	4	13	10.51
BML-203-12	SBP-081-20	203	4000	12	224	197	160	145	333	120	4	17	16.84
BML-229-13	SBP-091-20	229	5000	13	252	216	180	158	385.5	135	4	22	25.63
BML-254-14	SBP-101-20	254	6000	14	280	223	200	165	422	150	4	22	32.01

CUSTOM SHEAVE BLOCKS



40 t Quad



70 t Treble



40 t Quintuple



50 t snatch

CUSTOM CRANE HOOK BLOCKS



Insulated 63 t OHTC Block



50 t Quintuple Mobile Crane



25 t OHTC Block



20 t OHTC Block

CUSTOM LEAD BLOCKS



Inline Quad Vertical Lead Block



Inline Double Lead Block



1500 Ø Vertical Lead Block



Aluminium High Strength Lead Block

CUSTOM SHEAVES



750 Ø Fully Machined Steel



900 Ø Fully Machined Alloy Steel



1400 Ø Cast Alloy Steel



1930 Ø Cast Iron

**Request for quotation forms for custom products are provided in the next few pages.
Fill in and return as indicated for prompt quotation.**

CUSTOM SHEAVES

REQUEST FOR QUOTATION

CUSTOMER NAME		DATE
ADDRESS		CONTACT NAME
TELEPHONE	FAX	E-MAIL

SHEAVE

Rope Diameter (E) mm _____

Type of Rope (Please one only)

Fibre

Wire

Outside Diameter (A) mm _____

Boss Diameter (B) optional) mm _____

Rim Width (F) mm _____

Boss Width (G) mm _____

Material (if known) _____

Quantity _____

Shaft Diameter (D) mm _____

BEARINGS (Please one only)

High Capacity PTFE Bush

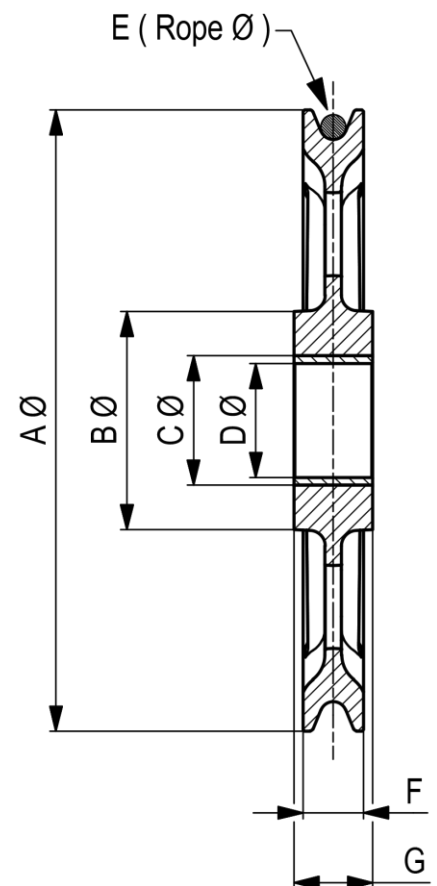
Bronze Bush

Roller Bearing

Tapered Roller Bearing

Bearing Part No. / Other (Please Specify) _____

Application / Environmental Conditions Used. _____



SPECIAL REQUIREMENTS

Coating (Otherwise standard SuperLift coating system used) _____

Proof Load Testing (Please if required)

Other (Please Specify) _____

CUSTOM SHEAVE BLOCKS REQUEST FOR QUOTATION

CUSTOMER NAME		DATE
ADDRESS		CONTACT NAME
TELEPHONE	FAX	E-MAIL

BLOCK

Working Load Limit (At the Head Fitting)

_____ Metric Tonnes

Application / Environmental Conditions Used.

HEAD FITTING TYPE (Please one only)

Hook Single

Duplex (Rams Horn)

Swivel Eye

Fixed Shackle

Other (Please Specify)

SHEAVES

Number of Sheaves

Type of Rope (Please one only)

Fibre

Wire

Rope Diameter

_____ mm

Becket

BEARINGS (Please one only)

High Capacity PTFE Bush

Bronze Bush

Roller Bearing

Tapered Roller Bearing

Other (Please Specify)

SPECIAL REQUIREMENTS

Coating (Otherwise standard SuperLift coating system used)

Proof Load Testing (Please if required)

Other (Please Specify)

CUSTOM CRANE BLOCKS

REQUEST FOR QUOTATION

CUSTOMER NAME		DATE
ADDRESS		CONTACT NAME
TELEPHONE	FAX	E-MAIL

TYPE OF CRANE (Please one only)

Over Head Travelling Crane (OHTC)

Mobile Crane

Application / Environmental Conditions Used. _____

SHEAVES

Number of Sheaves _____

Outside Diameter _____ mm

Rope Diameter _____ mm

BEARINGS

High Capacity PTFE Bush

Bronze Bush

Roller Bearing

Tapered Roller Bearing

Other (Specify) _____

BLOCK CAPACITY, DIMENSIONS & WEIGHT

If multiple sheaves centre distance between all sheaves _____ mm

Working Load Limit _____ Metric Tonnes

Design Class _____

If Replacement Weight _____ KG

HEAD FITTING TYPE (Please one only)

Hook Single

Duplex (Rams Horn)

Swivel Eye

Fixed Shackle

Other (Please Specify) _____

Motorized Hook

SPECIAL REQUIREMENTS

Coating (Otherwise standard SuperLift coating system used)

Proof Load Testing (Please if required)

Other (Please Specify) _____

CUSTOM MACHINED HOOKS REQUEST FOR QUOTATION

CUSTOMER NAME		DATE
ADDRESS		CONTACT NAME
TELEPHONE	FAX	E-MAIL

HOOK

Working Load Limit (At the Head Fitting) _____ Metric Tonnes

Application / Environmental Conditions Used. _____

TYPE (Please one only)

Single

Duplex (Rams Horn)

Size (Din, Euro style) _____

Other (Please Specify) _____

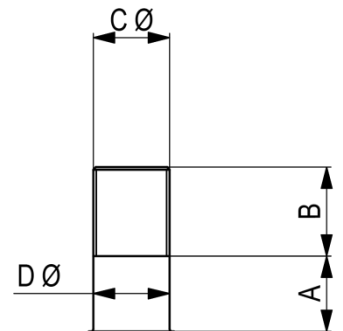
DIMENSIONS

Shank length (A) _____

Thread length (B) _____

Thread Diameter (C) _____

Shank Diameter (D) _____



NUT (Please one only)

Round Nut

Hexagon Nut

Nut Locking, (Dim. A. must be exact to underside of nut, f required)

Other (Please Specify) _____

SPECIAL REQUIREMENTS

Coating (Otherwise standard SuperLift coating system used) _____

Proof Load Testing (Please if required)

Other (Please Specify) _____

CUSTOM SAFETY LATCH KITS REQUEST FOR QUOTATION

CUSTOMER NAME			DATE
ADDRESS		CONTACT NAME	
TELEPHONE	FAX	E-MAIL	

HOOK

Working Load Limit (At the Head Fitting) _____ Metric Tonnes

Application / Environmental Conditions Used. _____

TYPE (Please one only)

Single

Duplex (Rams Horn)

Size (Din, Euro style) _____

Other (Please Specify) _____

DIMENSIONS

Shank Diameter (A) _____ mm

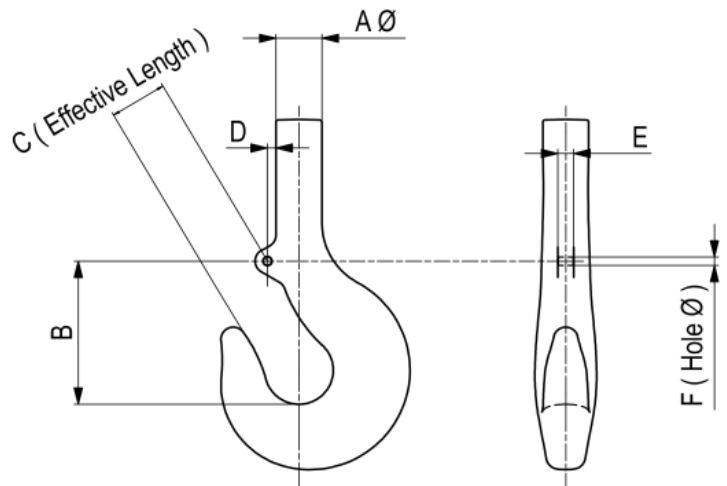
Length (B) _____ mm

Throat Opening (C) _____ mm

Distance (D) _____ mm

Lug Width (E) _____ mm

Hole Diameter (F) _____ mm



SPECIAL REQUIREMENTS

Coating (Otherwise standard SuperLift coating system used) _____

Other (Please Specify) _____

TESTING AND INSPECTION

Mechanical Load Testing Facilities

Our laboratory testing facilities comply with the requirements of,
AS/NZS ISO/IEC 17020
AS/NZS ISO/IEC 17025

Class AA 250 tonne Horizontal Test Bed

Class AA 50 tonne Vertical Test Tower



Magnetic Particle Inspection (MPI)

Our laboratory testing facilities comply with the requirements of,
AS/NZS ISO/IEC 1171-1998
ASTM E1444

Magnetic Particle Inspection (MPI) is an extension of visual inspection. This critical technique for non-destructive testing (NDT) is used for the detection of surface and near-surface flaws (discontinuities) in ferromagnetic materials.



Terms & Conditions of Sale

1. Exclusion of other terms and conditions.

The following terms and condition shall apply to the sale of all goods by Super Lift Engineering Pty Ltd to the exclusion of any and all terms and conditions in any documents submitted to Super Lift Engineering Pty Ltd by the customer.

2. Basis of acceptance of quotations.

All quotations are based on information provided by the customer (or by third parties on its behalf). Any extra cost or expense arising from incorrect information shall be paid by the customer.

3. Prices.

Any quotation submitted or any price set out in any price list is based on the cost of labour and materials at the date of the price list or quotation. Super lift Engineering Pty Ltd may at its discretion increase any such price to reflect changes in the price of labour and materials and manufacturing overheads.

4. Terms of payment.

Unless Super Lift engineering Pty Ltd in its discretion agrees to accept payment for goods on deferred terms, the customer shall pay for all goods delivered by Super Lift Engineering Pty Ltd within 30 days from the last day of the month in which the goods are so despatched.

Minimum invoice value of \$75, all orders below this figure will result in a surcharge being applied. Title of goods remains the property of Super Lift Engineering Pty Ltd until paid for in full.

5. Literature.

Advertising and other literature provided by super lift engineering contains general information only and no such information is to form part of any contract between super lift engineering and the customer.

6. Guarantee.

6.1; Super Lift Engineering agrees to repair or replace any parts or equipment supplied by in which develop defects as a result of the use by super lift engineering of faulty material or workmanship within the period of three months after the date of delivery. Any parts that require repair or replacement shall be replaced at the works of Super lift engineering. The cost of freight both ways is to be borne by the customer. Any repaired parts shall become the property of Super Lift Engineering Pty Ltd.

6.2; This guarantee does not include liability for fair wear and tear, negligence or wilful default.

6.3; The benefits conferred by this guarantee are in addition to all other rights and remedies in respect of the goods which the customer has under the trades practices act 1974 ("the act") or any binding enactment of any state or territory which cannot be excluded by agreement.

6.4; In a case in which the goods are other than a kind ordinarily acquired for personnel, domestic or household consumption Super Lift Engineering's liability for any breach of a condition or warranty implied by division 2 of the act (other than a condition or warranty implied by section 69 of the act) is limited to any one or more of the following; (as determined by Super Lift Engineering Pty Ltd in its absolute discretion).

- (i) the replacement of the goods or supply of equivalent goods; or
- (ii) the repair of the goods; or
- (iii) the payment of the cost of replacing of the goods or of acquiring equivalent goods; or
- (iv) the payment of the cost of having the goods repaired.

6.5; if Super Lift Engineering becomes liable to indemnify a seller pursuant to section 74h of the act then such liability is limited to a payment of the of the sum equal to either;

- (i) the cost of replacing the goods; or
- (ii) the cost of obtaining equivalent goods; or
- (iii) the cost of having the goods repaired, whichever the less.

6.6; the foregoing sets out the obligations of Super Lift Engineering Pty Ltd concerning the goods and all other conditions and warranties which may be lawfully excluded whether as to merchantable quality, fitness for any particular purpose, conformity with description or with a sample and whether express or implied by the law are hereby expressly negated and excluded.

6.7; any alteration, modification or defacing of a Super lift product by any means will void all warranties and liabilities.

7. Delivery.

Any time for delivery which is given as an estimate only and super lift engineering will use all reasonable efforts to deliver by such time but in no case shall Super Lift Engineering be liable for any consequential damages in respect of any loss suffered by the customer as a result of any failure to deliver by any specified date.

8. G.S.T.

Super Lift Engineering shall be entitled to charge and recover from the customer the amount of any G.S.T. payable in respect of the sale of the goods to the customer.

9. Risk.

All goods supplied by Super Lift Engineering Pty Ltd to the customer will be at the customer's risk from the time of despatch.

10. Victorian law.

This contract shall be construed and take effect in accordance with the laws of the state of Victoria, Australia.

11. Credits

A restocking and handling charge of 20 % of the invoice value or \$120.00 will apply to all returned goods, whichever the greater.

No credits or returns will be accepted unless claims are made within seven days of despatch, all goods returned must be freight paid and invoice and return authorisation number quoted. Specially manufactured or products not normally stocked or procured goods will not be accepted for credit.

12. Copyright

Price lists, catalogues, internet information, brochures, data sheets or images cannot be reproduced in any shape, manner or form, without the prior written permission from Super Lift Engineering Pty Ltd

CONVERSION TABLES

Multiply	By	To Obtain
LENGTH		
centimetre	0.0328084	foot
centimetre	0.3937008	inch
fathom	1.8288	metre (m)
foot	0.3048	metre (m)
foot	30.48	centimetre (cm)
foot	304.8	millimetre (mm)
inch	0.0254*	metre (m)
inch	2.54	centimetre (cm)
inch	25.4	millimetre (mm)
kilometre	0.6213712	mile (U.S. statute)
metre	39.37008	inch
metre	0.5468066	fathom
metre	3.28084	foot
metre	0.1988388	rod
metre	1.093613	yard
metre	0.0006213712	mile (U.S. statute)
micrometre (micron)	39.37008	microinch
millimetre	0.00328084	foot
millimetre	0.03937008	inch
yard	0.9144*	metre (m)
AREA		
acre	4046.856	metre ² (m ²)
acre	0.4046856	hectare
hectare	2.471054	acre
metre ²	1550.003	inch ²
metre ²	10.76391	foot ²
metre ²	1.19599	yard ²
metre ²	0.0002471054	acre
yard ²	0.8361274	metre ² (m ²)
VOLUME (including CAPACITY)		
foot ³	0.02831685	metre ³ (m ³)
foot ³	28.31685	litre
litre	0.001*	metre ³ (m ³)
litre	0.2199692	gallon (U.K. liquid)
litre	0.264172	gallon (U.S. liquid)
litre	0.03531466	foot ³
metre ³	219.9692	gallon (U.K. liquid)
metre ³	264.172	gallon (U.S. liquid)
metre ³	35.31466	foot ³
metre ³	1.307951	yard ³
metre ³	1000.*	litre
metre ³	61023.76	inch ³
millimetre ³	0.00006102376	inch ³
yard ³	0.7645549	metre ³ (m ³)
FORCE and FORCE/LENGTH		
kilogram-force	9.80665*	newton (N)
newton	0.1019716	kilogram-force
newton/metre	0.005710148	pound/inch
newton/metre	0.06852178	pound/foot
ounce/force	0.2780139	newton (N)
pound/force	4.448222	newton (N)
pound/inch	175.1268	newton/metre (N/m)
pound/foot	14.5939	newton/metre (N/m)
POWER		
foot-pound/hour	0.0003766161	watt (W)
foot-pound/minute	0.02259697	watt (W)
horsepower (electric)	746.*	watt (W)
horsepower (metric)	735.499	watt (W)
horsepower (U.K.)	745.7	watt (W)
horsepower(550 ft-lbs)	0.7456999	kilowatt (kW)
horsepower(550 ft-lbs)	745.6999	watt (W)
kilowatt	1.341022	horsepower(550 ft-lbs)
Btu (International Table)/hour	0.2930711	watt (W)

Multiply	By	To Obtain
MASS and DENSITY		
gram	15.43236	grain
gram	0.001*	kilogram (kg)
hundredweight (long)	50.80235	kilogram (kg)
hundredweight (short)	45.35924	kilogram (kg)
kilogram	1000.*	gram (g)
kilogram	35.27397	ounce (avoirdupois)
kilogram	32.15074	ounce (troy)
kilogram	2.204622	pound (avoirdupois)
kilogram	0.06852178	slug
kilogram	0.0009842064	ton (long)
kilogram	0.001102311	ton (short)
kilogram	0.001*	ton (metric)
kilogram	0.001*	tonne
kilogram	0.01968413	hundredweight (long)
kilogram	0.02204622	hundredweight (short)
kilogram/metre ³	0.06242797	pound/foot ³
kilogram/metre ³	0.01002242	pound/gallon UK.liquid
kilogram/metre ³	0.008345406	pound/gallon US.liquid
pound (avoirdupois)	0.4535924	kilogram (kg)
pound/foot ³	16.01846	kilogram/metre ³
pound/inch ³	27.6799	gram/centimetre ³
pound/gallon US.liquid.	119.8264	kilogram/metre ³
pound/gallon UK.liquid.	99.77633	kilogram/metre ³
slug	14.5939	kilogram (kg)
ton (long 2240lb)	1016.047	kilogram (kg)
ton (short 2000lb)	907.1847	kilogram (kg)
ton (metric)	1000.*	kilogram (kg)
tonne	1000.*	kilogram (kg)
PRESSURE		
atmosphere (14.6959 lb/inch ²)	101.325	pascal (Pa)
bar	100,000.*	pascal (Pa)
bar	14.50377	pound/inch ²
bar	100,000.*	newton/metre ² (N/m ²)
kilogram/centimetre ²	14.22334	pound/inch ²
kilogram/metre ²	9.806650*	newton/metre ² (N/m ²)
kilogram/metre ²	9.806650*	pascal (Pa)
kilogram/metre ²	0.2048161	pound/foot ²
kilowatt/metre ²	0.1450377	pound/inch ²
newton/centimetre ²	1.450377	pound/inch ²
newton/metre ²	0.00001	bar
newton/metre ²	1.0*	pascal (Pa)
newton/metre ²	0.0001450377	pound/inch ²
newton/metre ²	0.1019716	kilogram/metre ²
newton/millimetre ²	145.0377	pound/inch ²
pascal	0.00000986923	atmosphere
pascal	0.00001*	bar
pascal	0.1019716	kilogram/metre ²
pascal	1.0*	newton/metre ² (N/m ²)
pascal	0.02088543	pound/foot ²
pascal	0.0001450377	pound/inch ²
pound/foot ²	4.882429	kilogram/metre ²
pound/foot ²	47.88026	pascal (Pa)
pound/inch ²	0.06894757	bar
pound/inch ²	0.07030697	kilogram/centimetre ²
pound/inch ²	0.6894757	newton/centimetre ²
pound/inch ²	6.894757	kilowatt/metre ²
pound/inch ²	6894.757	newton/metre ² (N/m ²)
pound/inch ²	0.006894757	newton/millimetre ²
pound/inch ²	6894.757	pascal (Pa)

* Where an asterisk is shown, the figure is exact.